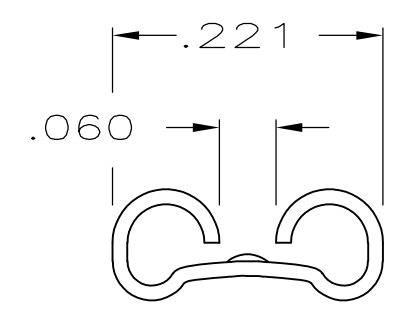
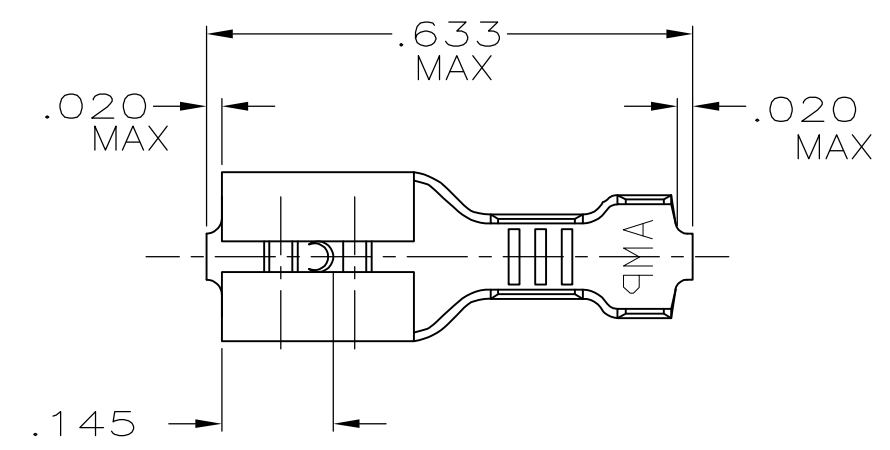


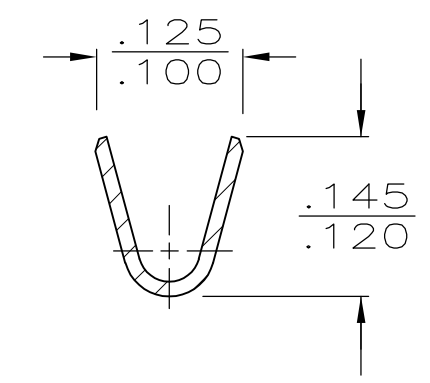
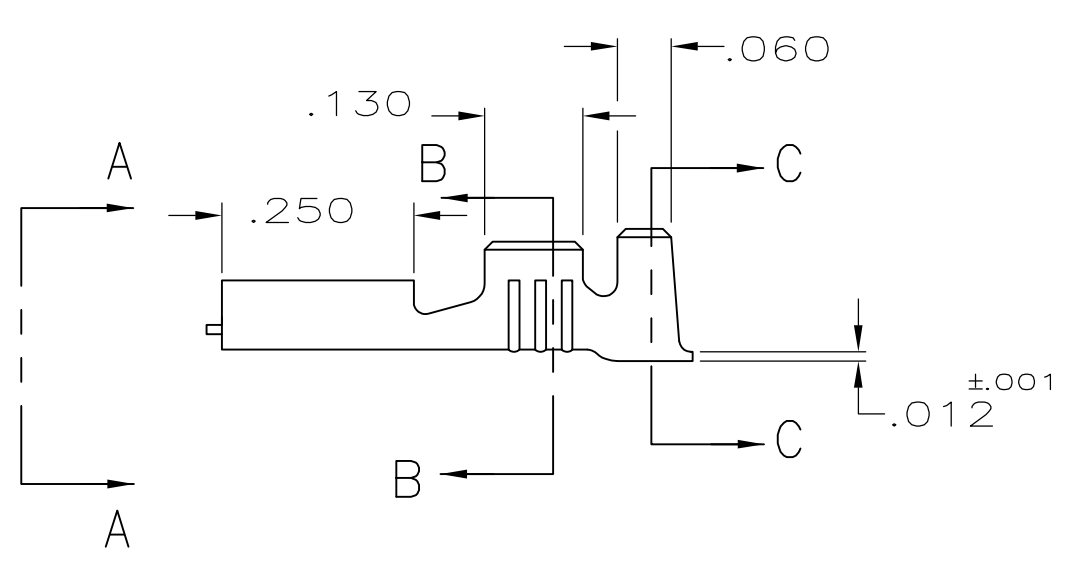
THIS DRAWING IS UNPUBLISHED. RELEASED FOR PUBLICATION
 © COPYRIGHT - By - ALL RIGHTS RESERVED.

LOC	DIST	REVISIONS			
P	LTR	DESCRIPTION	DATE	DWN	APVD
AF	50	H	REVISED PER ECR-12-013445	18OCT12	KH PD

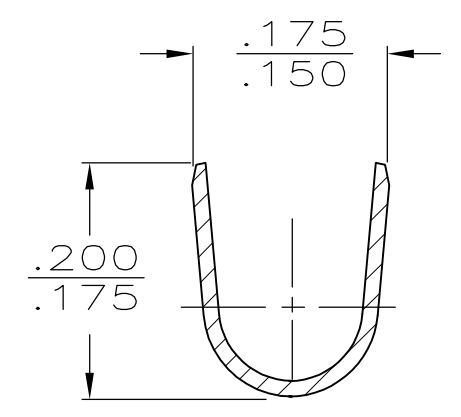


VIEW A-A

1 SUPPLIED IN LOOSE PIECE


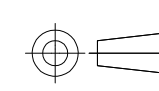


SECTION B-B



SECTION C-C

42452-2	TIN	.090-.130 DIA	20-16 AWG	.020	42566-2
42452-1	-	.090-.130 DIA	20-16 AWG	.020	42566-1
STRIP FORM	FINISH	INSUL RANGE	WIRE SIZE	MATING TAB THK ±.001	PART NO

THIS DRAWING IS A CONTROLLED DOCUMENT.		DWN JR RUTH 3/5/93	 TE Connectivity RECEPTACLE, FASTON, .187 SERIES				
DIMENSIONS: INCHES		CHK MS FEHER 3/5/93				NAME	
		APVD C MEYERS 3/5/93				PRODUCT SPEC	
TOLERANCES UNLESS OTHERWISE SPECIFIED:		APPLICATION SPEC					
MATERIAL BRASS		FINISH SEE TABLE		SIZE A3	CAGE CODE 00779	DRAWING NO C-42566	RESTRICTED TO
CUSTOMER DRAWING				SCALE 4:1	SHEET 1 OF 1	REV H	